

HETTCUBE INCUBATORS

AND COOLED INCUBATORS

Efficient use of valuable space

A touch more control. HettCube incubators feature a 4.3 inch touchscreen providing more control and program flexibility. The easy-to-read dashboard displays the target and current temperature, the status of the device and an overview of all events and alarm messages for the past 30 days. Every irregularity caused by tolerance band violations or power failure is documented in the logbook. Set weekly program schedules as well as temperature reduction changes for days-off, nights or weekends directly on the device without the need for additional software.

Customizable settings for added security even in the event of a power failure. Various event and alarm functions are easily adjustable per unit. A lockable door and control panel cover, touchscreen with PIN protection and optional USB port key ensures sample security. Users can also define how their HettCube should respond in the event of a power failure, the HettCube can continue with its original setting or move into a safe-mode status.

Optimal conditions for your cultures. HettCube incubators combine the advantages of natural and forced convection to provide a stable and uniform environment for cultures. The fan is housed outside of the usable space, providing higher throughputs and limiting airflow inside the incubator. Temperature is primarily maintained by radiated heat to ensure even temperature distribution and to prevent hot-spots. This yields optimum growth conditions and considerably reduces the potential of samples drying out.

Extensive standard equipment and optional accessories. Contact your local ESBE representative for details.

[Click here to learn more.](#)



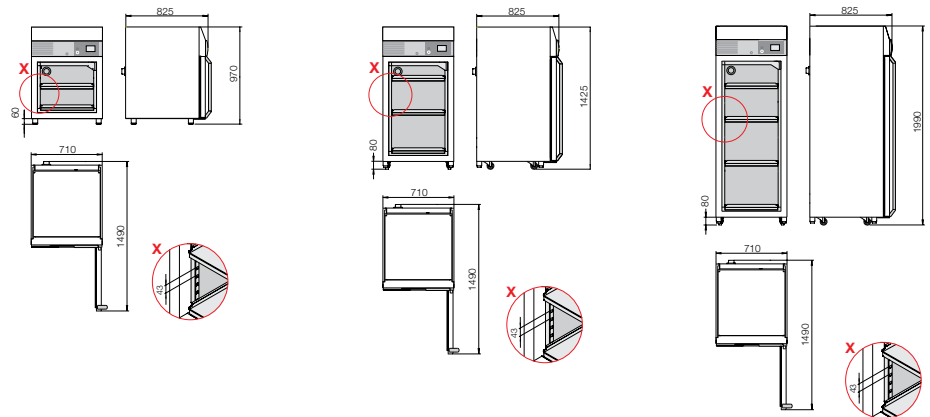
HETTCUBE SPECIFICATIONS



HettCube	200	200 R	400	400 R	600	600 R
Temperature range for incubators / Cooled incubators	1 K above ambient temperature up to +65 °C / 0 °C up to +65 °C					
Exterior dimensions W x D x H mm (inches)	710 x 825 x 970 (28 x 32.5 x 38)		710 x 825 x 1425 (38 x 32.5 x 56)		710 x 825 x 1990 (38 x 32.5 x 78.3)	
Interior dimensions W x D x H mm (inches)	535 x 690 x 420 (21 x 27 x 16.5)		535 x 690 x 850 (21 x 27 x 33.5)		535 x 690 x 1415 (21 x 27 x 55.75)	
Internal volume (Liters)	150		310		520	
Usable volume (per DIN 12880:2007-05 in liters)	82		199		351	
Percentage usable volume / internal volume	54 %		64 %		67 %	
Footprint in m ² (sq. ft.)	0.6 (6.5)					
Weight in kg (lbs.)	97 (214)	108 (238)	122 (269)	133 (293)	169 (372)	180 (397)
Number of shelves provided as standard	2 (1 standard + 1 HTS)		3 (2 standard + 1 HTS)		4 (3 standard + 1 HTS)	
Maximum number of shelves (standard tray)†	4		9		16	
Temperature fluctuation at +37 °C	± 0.1 K					
Temperature uniformity at +37 °C	± 0.2 K					
Temperature uniformity at +25 °C	± 0.1 K					
Recovery time after door open for 30 sec at +37 °C	≤ 3 min		≤ 4.5 min		≤ 5.5 min	
Energy consumption at +37 °C	0.04 kWh		0.05 kWh		0.06 kWh	
Noise level	≤ 42 dB(A)	≤ 44 dB(A)	≤ 42 dB(A)	≤ 44 dB(A)	≤ 42 dB(A)	≤ 44 dB(A)
ESBE Item ID (120 V 1 ~ / 50 – 60 Hz)	HET-6200001	HET-6200501	HET-6400001	HET-6400501	HET-6600001	HET-6600501
ESBE Item ID w Glass Door (add-on item)*	HET-60030		HET-60029		HET-60013	

† Please consult your local ESBE representative for shelving options and configurations.
 *For glass door option, order the HettCube model and the Glass Door.

[Click here to learn more.](#)



ESBE Scientific
 80 McPherson Street
 Markham, Ontario L3R 3V6
Web: www.esbe.com
Toll free: 1.800.268.3477
Email: info@esbe.com



Hettich products are designed to help you achieve optimal results for your application and are built to perform to the specifications outlined in the operators manual. For application specific information and settings, please refer to your organizations standard operating procedure.

Prices, specifications and stock are current at the time of printing/publishing, subject to change without notice and are not to be combined with other offers/discounts or contract pricing. While quantities last.